



Refrigerated Showcases

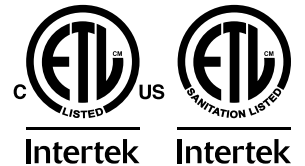
Models RS-CN-0900, 1200, 1500, 1800

Items 48377, 48378, 48379, 48380

Instruction Manual



Revised - 08/27/2024



Toll Free: 1-800-465-0234
Fax: 905-607-0234
Email: service@omcan.com
www.omcan.com



Table of Contents

Model RE-CN-0900 / Model RE-CN-1200
Model RE-CN-1500 / Model RE-CN-1800

Section	Page
Disclaimer -----	3
General Information -----	4 - 5
Safety and Warranty -----	5 - 7
Technical Specifications -----	8
Operation -----	9 - 10
Maintenance -----	10
Troubleshooting -----	10 - 12
Parts Breakdown -----	13 - 20
Electrical Schematics -----	21 - 22
Warranty Registration -----	23

OMCAN IS NOT RESPONSIBLE FOR ANY DAMAGES DUE TO WATER LEAKS. WARRANTY FOR WATER LEAKS IS VOID IF THE AMBIENT ROOM TEMPERATURE EXCEEDS 75°F AND 55% RELATIVE HUMIDITY, AND THE APPLIANCE DRAIN IS NOT CONNECTED DIRECTLY TO A FLOOR DRAIN.

OMCAN N'EST PAS RESPONSABLE DES DOMMAGES DUS AUX FUITES D'EAU. LA GARANTIE POUR LES FUITES D'EAU EST ANNULÉE SI LA TEMPÉRATURE AMBIANTE DE LA PIÈCE DÉPASSE 75°F ET 55% D'HUMIDITÉ RELATIVE, ET SI LE DRAIN DE L'APPAREIL N'EST PAS RACCORDÉ DIRECTEMENT À UN DRAIN DE PLANCHER.

OMCAN NO SE HACE RESPONSABLE DE LOS DAÑOS CAUSADOS POR FUGAS DE AGUA. LA GARANTÍA POR FUGAS DE AGUA QUEDA ANULADA SI LA TEMPERATURA AMBIENTE SUPERA LOS 75°F Y EL 55% DE HUMEDAD RELATIVA, Y EL DESAGÜE DEL APARATO NO ESTÁ CONECTADO DIRECTAMENTE A UN DESAGÜE DE PISO.

General Information

Omcan Manufacturing and Distributing Company Inc., Food Machinery of America, Inc. dba Omcan and Omcan Inc. are not responsible for any harm or injury caused due to any person's improper or negligent use of this equipment. The product shall only be operated by someone over the age of 18, of sound mind, and not under the influence of any drugs or alcohol, who has been trained in the correct operation of this machine, and is wearing authorized, proper safety clothing. Any modification to the machine voids any warranty, and may cause harm to individuals using the machine or in the vicinity of the machine while in operation.

CHECK PACKAGE UPON ARRIVAL

Upon receipt of an Omcan shipment please inspect for external damage. If no damage is evident on the external packaging, open carton to ensure all ordered items are within the box, and there is no concealed damage to the machine. If the package has suffered rough handling, bumps or damage (visible or concealed), please note it on the bill of lading before accepting the delivery and contact Omcan within 24 hours, so we may initiate a claim with the carrier. A detailed report on the extent of the damage caused to the machine must be filled out within three days, from the delivery date shown in the shipping documents. Omcan has no recourse for damaged products that were shipped collect or third party.

Before operating any equipment, always read and familiarize yourself with all operation and safety instructions.

Omcan would like to thank you for purchasing this machine. It's of the utmost importance to save these instructions for future reference. Also save the original box and packaging for shipping the equipment if servicing or returning of the machine is required.

Omcan Fabrication et distribution Compañie Limité et Food Machinery d'Amérique, dba Omcan et Omcan Inc. ne sont pas responsables de tout dommage ou blessure causé du fait que toute personne ait utilisé cet équipement de façon irrégulière. Le produit ne doit être exploité que par quelqu'un de plus de 18 ans, saine d'esprit, et pas sous l'influence d'une drogue ou d'acohol, qui a été formé pour utiliser cette machine correctement, et est vêtu de vêtements de sécurité approprié. Toute modification de la machine annule toute garantie, et peut causer un préjudice à des personnes utilisant la machine ou des personnes à proximité de la machine pendant son fonctionnement.

VÉRIFIEZ LE COLIS DÈS RÉCEPTION

Dès réception d'une expédition d'Omcan veuillez inspecter pour dommages externes. Si aucun dommage n'est visible sur l'emballage externe, ouvrez le carton afin de s'assurer que tous les éléments commandés sont dans la boîte, et il n'y a aucun dommage dissimulé à la machine. Si le colis n'a subi aucune mauvaises manipulations, de bosses ou de dommages (visible ou cachée), notez-le sur le bond de livraison avant d'accepter la livraison et contactez Omcan dans les 24 heures qui suivent, pour que nous puissions engager une réclamation auprès du transporteur. Un rapport détaillé sur l'étendue des dommages causés à la machine doit être rempli dans un délai de trois jours, à compter de la date de livraison indiquée dans les documents d'expédition. Omcan n'a aucun droit de recours pour les produits endommagés qui ont été expédiées ou cueilli par un tiers transporteur.

Avant d'utiliser n'importe quel équipement, toujours lire et vous familiariser avec toutes les opérations et les



General Information

consignes de sécurité.

Omcan voudrais vous remercier d'avoir choisi cette machine. Il est primordial de conserver ces instructions pour une référence ultérieure. Également conservez la boîte originale et l'emballage pour l'expédition de l'équipement si l'entretien ou le retour de la machine est nécessaire.

Omcan Empresa De Fabricacion Y Distribucion Inc. Y Maquinaria De Alimentos De America, Inc. dba Omcan y Omcan Inc. no son responsables de ningun daño o perjuicio causado por cualquier persona inadecuada o el uso descuidado de este equipo. El producto solo podra ser operado por una persona mayor de 18 años, en su sano juicio y no bajo alguna influencia de droga o alcohol, y que este ha sido entrenado en el correcto funcionamiento de esta máquina, y ésta usando ropa apropiada y autorizada. Cualquier modificación a la máquina anula la garantía y puede causar daños a las personas usando la máquina mientras esta en el funcionamiento.

REVISE EL PAQUETE A SU LLEGADA

Tras la recepcion de un envio Omcan favor inspeccionar daños externos. Si no hay daños evidentes en el empaque exterior, Habra el carton para asegurarse que todos los articulos solicitados estén dentro de la caja y no encuentre daños ocultos en la máquina. Si el paquete ha sufrido un manejo de poco cuidado, golpes o daños (visible o oculto) por favor anote en la factura antes de aceptar la entrega y contacte Omcan dentro de las 24 horas, de modo que podamos iniciar una reclamación con la compañía. Un informe detallado sobre los daños causados a la máquina debe ser llenado en el plazo de tres días, desde la fecha de entrega que se muestra en los documentos de envío. Omcan no tiene ningun recurso por productos dañados que se enviaron a recoger por terceros.

Antes de utilizar cualquier equipo, siempre lea y familiarizarse con todas las instrucciones de funcionamiento y seguridad.

Omcan le gustaría darle las gracias por la compra de esta máquina. Es de la mayor importancia para salvar estas instrucciones para futuras consultas. Además, guarda la caja original y el embalaje para el envío del equipo si servicio técnico o devolución de la máquina que se requiere.

Safety and Warranty

HANDLING AND PLACEMENT

HANDLE WITH CARE

Unplug the wall socket first. Never tilt it over 45 degrees during handling.

DRY PLACE

Always locate the refrigerator in a dry location.

Safety and Warranty

SUFFICIENT SPACE

The distance from both sides and back of the refrigerator to the walls or other obstructions must not be less than 10cm. The refrigeration capability might be reduced if the surrounding space is too small to circulate air.

GOOD VENTILATION

Always place the refrigerator in a place with good ventilation. For the first use, wait for 2 hours after handling and then plug into the socket and start.

KEEP FROM HEAT SOURCES

Never place the refrigerator directly under sunlight. Never place it near any source of heat to prevent refrigeration capability from being reduced.

NO HEAVY LOAD

Never place any heavy objects on the top of the refrigerator.

NO MODIFICATIONS

Never modify the refrigerators. Never make additional holes in the refrigerator.

STABLE LOCATION

To avoid unexpected noise or vibration, locate the refrigerator on a flat and stable surface.

EXCLUSIVE POWER SOCKET

The power supply must be 110-120V, single phase with exclusive single phase three pin receptacle (250V, 10A) and fuse (6A). The power receptacle must be well grounded.

NO SHARING SOCKET

Never share the power socket with other appliances, otherwise the cable will become hot and a fire may result.

PROTECT CABLES

Never break or damage the cables otherwise current leakage and fire may be resulted.

NO WATER FLUSHING

Never allow water to come into contact with the refrigerator, otherwise current leakage might be resulted.

PREVENT FROM FLAMMABLES AND EXPLOSIVES

Never place any flammables or explosives inside the refrigerator such as ether, gasoline, alcohol, adhesives, ect. Never place these dangerous substances near the refrigerator.

NO SPRAY

Do not spray the refrigerator with flammables such as paint or coating. Never place these dangerous substances near the refrigerator.

AFTER POWER BREAK

After a power outage or unplugging the refrigerator, always wait at least 5 minutes before plugging back in.



Safety and Warranty

NO MEDICINE

Do not store medicine inside the refrigerator.

RESIDENTIAL USERS: vendor assumes no liability for parts or labor coverage for component failure or other damages resulting from installation in non-commercial or residential applications. The right is reserved to deny shipment for residential usage; if this occurs, you will be notified as soon as possible.

2 YEAR PARTS AND LABOUR 5 YEAR COMPRESSOR WARRANTY

Within the warranty period, contact Omcan Inc. at 1-800-465-0234 to schedule an Omcan authorized service technician to repair the equipment locally.

Unauthorized maintenance will void the warranty. Warranty covers electrical and part failures, not improper use.

Please see <https://omcan.com/disclaimer> for complete info.

WARNING:

The packaging components are classified as normal solid urban waste and can therefore be disposed of without difficulty.

In any case, for suitable recycling, we suggest disposing of the products separately (differentiated waste) according to the current norms.

DO NOT DISCARD ANY PACKAGING MATERIALS IN THE ENVIRONMENT!

Technical Specifications

Model	RE-CN-0900	RE-CN-1200	RE-CN-1500	RE-CN-1800
Item Number	48377	48378	48379	48380
Power	1320 W	1600 W	1880 W	2050 W
Capacity	560 L / 19.77 cu.ft.	760 L / 26.83 cu.ft.	960 L / 33.9 cu.ft.	1160 L / 40.96 cu.ft.
Exterior Material	Glass/Painted Metal			
Interior Material	Plastic/Painted Metal/Stainless Steel			
Shelf Material	Glass			
Shelf Dimensions	30.1" x 12.3" 764 x 312mm	41.9" x 12.3" 1064 x 312mm	53.7" x 12.3" 1364 x 312mm	65.5" x 12.3" 1664 x 312mm
Electrical	110-120V / 60Hz / 1		220V / 60Hz / 1	
Lamp Power	50 W	75 W		
Temperature Range	2 - 10°C / 35.6 - 50°F			
Max Ambient Temp Rating	24°C / 75°F			
Noise DB Level	≤55 db			
Refrigerant and Injection	R290 / 490g		R290 / 250g x 2	
Type of Climate	3			
Rated Current	14A	15.5A	11A	
Foaming Agent	C5H10			
Internal Dimensions	32.9" x 21.1" x 51.2" 835 x 535 x 1300mm	44.7" x 21.1" x 51.2" 1135 x 535 x 1300mm	56.5" x 21.1" x 51.2" 1435 x 535 x 1300mm	68.3" x 21.1" x 51.2" 1735 x 535 x 1300mm
Net Dimensions (WDH)	28.7" x 29.1" x 79.9" 730 x 738 x 2030mm	48.4" x 29.1" x 79.9" 1230 x 738 x 2030mm	60.2" x 29.1" x 79.9" 1530 x 738 x 2030mm	72" x 29.1" x 79.9" 1830 x 738 x 2030mm
Net Weight	396.8 lbs. / 180 kgs.	486.1 lbs. / 220.5 kgs.	555.6 lbs. / 252 kgs.	646 lbs. / 293 kgs.
Packaging Dimensions	39.4" x 31.5" x 87.8" 1000 x 800 x 2230mm	51.2" x 31.5" x 87.8" 1300 x 800 x 2230mm	63" x 31.5" x 87.8" 1600 x 800 x 2230mm	74.8" x 31.5" x 87.8" 1900 x 800 x 2230mm
Packaging Weight	443.1 lbs. / 201 kgs.	524.7 lbs. / 238 kgs.	599.7 lbs. / 272 kgs.	795.9 lbs. / 361 kgs.

USE AND CAUTION

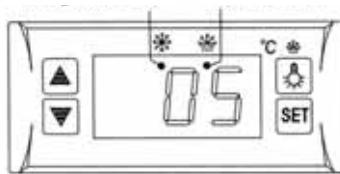
Before Use

Plug the refrigerator in a 110-120V exclusive socket. Once the refrigerator is running, put a hand on the air suction to confirm it is sufficiently cold. Then you may put food inside the cold box.

This appliance is not intended for use by persons (including children) with reduced physical, sensory or mental capabilities, or lack of experience and knowledge, unless they have been given supervision or instruction concerning use of the appliance by a person responsible for their safety. Children should be supervised to ensure that they do not play with the appliance.

DIGITAL TEMPERATURE CONTROLLER

Refrigerant LED Defrost LED



Features of function

- It is a mini-sized and integrated intelligent controller and applicable to the compressor of one HP.
- The main functions are: temperature display, temperature control, manual/automatic defrost by burning off, light control, value storing, self testing, parameter locking.

FRONT PANEL OPERATION

1. Set temperature:
Press the set button, the set temperature is displayed.
Press the up or down buttons to modify and store the displayed value.
Press the set button to exit the adjustment and display the cold-room temperature.
2. If no more buttons are pressed within 10 seconds, the cold-room temperature will be displayed.
3. Light:
Press the light button, the light turns on. Press it again, the light turns off.
Manual start/stop defrost: press the light button and hold for 6 seconds to defrost or stop defrost.
4. Refrigerant LED:
During refrigeration, the LED is on. When the cold-room temperature is constant, the LED is off. During the delay start, the LED flashes.
5. Defrost LED:
During defrosting, the LED is on. When it stops defrosting, the LED is off. During the delay display of defrost, the LED flashes.

CAUTIONS

If the supply cord is damaged, it must be replaced by the manufacturer, its service agent or similarly qualified persons in order to avoid a hazard. Never block the air suction and outlet. Keep air circulation and refrigeration capability. Do not make food congested as it will influence the cooling effect. Adjust the rack height for proper

Operation

food storage. Cool the hot food down to room temperature before you put it into the refrigerator. Try to pull down the curtain and keep refrigerator inside cold in case the power is cut off. Never touch compressor to avoid from scald. Do not store explosive substances such as aerosol cans with a flammable propellant in this appliance. During normal operation, the emission noise level does not exceed 70dB(A). The maximum loading of the shelf does not exceed 18kg. The climatic class of the appliance is 3, the units are suggested to be used at 16°C-25°C (60.8°F-77°F) ambient temperature. To avoid damages or other problems, this product can not be put or stored with any corrosive food.

Maintenance

1. Cabinet cleaning:

The product should be cleaned once a week with the power supply disconnected. In cleaning please use water or non-corrosive cleansers. Do not wash it directly with a water faucet.

Cleaning for condenser:

To keep the device in good working condition, the condenser should be cleaned every month. If message "EE4" appears on the display, please clean the condenser immediately. After cleaning, if the error message "EE4" appears again, please contact Omcan.

Instructions for cleaning:

When the power is off, loosen the screws at 2 sides and take off the front panel to clear the dust on the condenser fin by wire brush or high pressure air.

2. De-dusting for condenser.

The condenser should be cleaned every three months with the power supply disconnected. To clean the condenser, at the bottom panel for air suction, and remove the dust on the cooling fin of the condenser with wire brush or high pressure air.

3. Leaking check. Observe all connectors and welding joints for oil stain, which indicates a must for patching measures or call Omcan.

4. Frequently observe the operation of the product. In case of any abnormal noise, smell or smog, cut the power supply immediately and call Omcan for help. Do not restart the product before the problem is fixed.

5. Omcan will not be responsible for any accident or damage incurred by failure to follow these instructions.

6. Condensation water drainage:

Please make sure the water pipe is unobstructed and its location is lower than the joint to upper water receiver.

Troubleshooting

TROUBLES	CAUSES	SOLUTIONS
Strange noise under the bottom shelf.	Fan blade broken.	Power off and fix the blade.

Troubleshooting

Not cooling in spite of normal operation.	The unit is off.	Turn the unit on.
	Defrost is on.	Stop defrosting.
	The refrigerant is leaking.	Patch the leak and refill refrigerant.
	Unit failure.	Call Omcan.
Weak air from air curtain, and higher cabinet temperature.	Evaporator blocked by frost.	Increase melting frequency.
	Inside fan damaged.	Replace the fan.
	Temperature controller set too low.	Adjust the set point for the temperature controller.
	Vent blocked by product.	Remove the product.
Normal air curtain, but higher cabinet temperature.	Insufficient refrigerant.	Refill the refrigerant.
	Temperature controller is set too high.	Adjust the set point for the temperature controller.
	The wind curtain disturbed by strong air flow.	Removing the disturbing factors.
	Ambient temperature or humidity beyond standards.	Improve the conditions.
Melting water overflown.	Heating pipe for melting water damaged.	Replace the heating pipe.
	Water-level controller failure.	Replace the water-level controller.
	Ambient temperature or humidity beyond standards.	Improve the conditions.
Normal air curtain, but periodical fluctuation of cabinet temperature.	Condenser contaminated.	Clean the condenser.
	Poor venting of the unit.	Improve the venting conditions.
	Heat protection of compressor failure.	Replace the heat protection.
	Capillary is blocked by ice.	Replace the drying filter.
	Temperature controller failure.	Replace the temperature controller.
Water leaks on floor.	Ambient room temperature exceeds 75°F and 55% relative humidity.	Connect appliance drain to floor drain.

Troubleshooting

TROUBLESHOOTING OF DIGITAL CONTROL

Fault Code	Causes	Solution
EE1	Open circuit or short circuit of temperature probe.	Check if the plug on mainboard is loosened or not, or change temperature probe.
EE2	Open circuit or short circuit of defrosting probe.	Check if the plug on mainboard is loosened or not, or change defrosting probe.
EE3	Open circuit or short circuit of overheating probe.	Check if the plug on mainboard is loosened or not, or change overheating probe.
EE4	Overheating probe starts protecting program (58°C / 136.4°F).	Too much dust on condenser (clean the condenser).
		Condenser motor stops working (repair or change the motor).
		The unit is too close to the wall (keep product away from the wall 10cm at least).
		Ambient temperature is too high (make sure ambient temperature stays within the range as rating label specified).

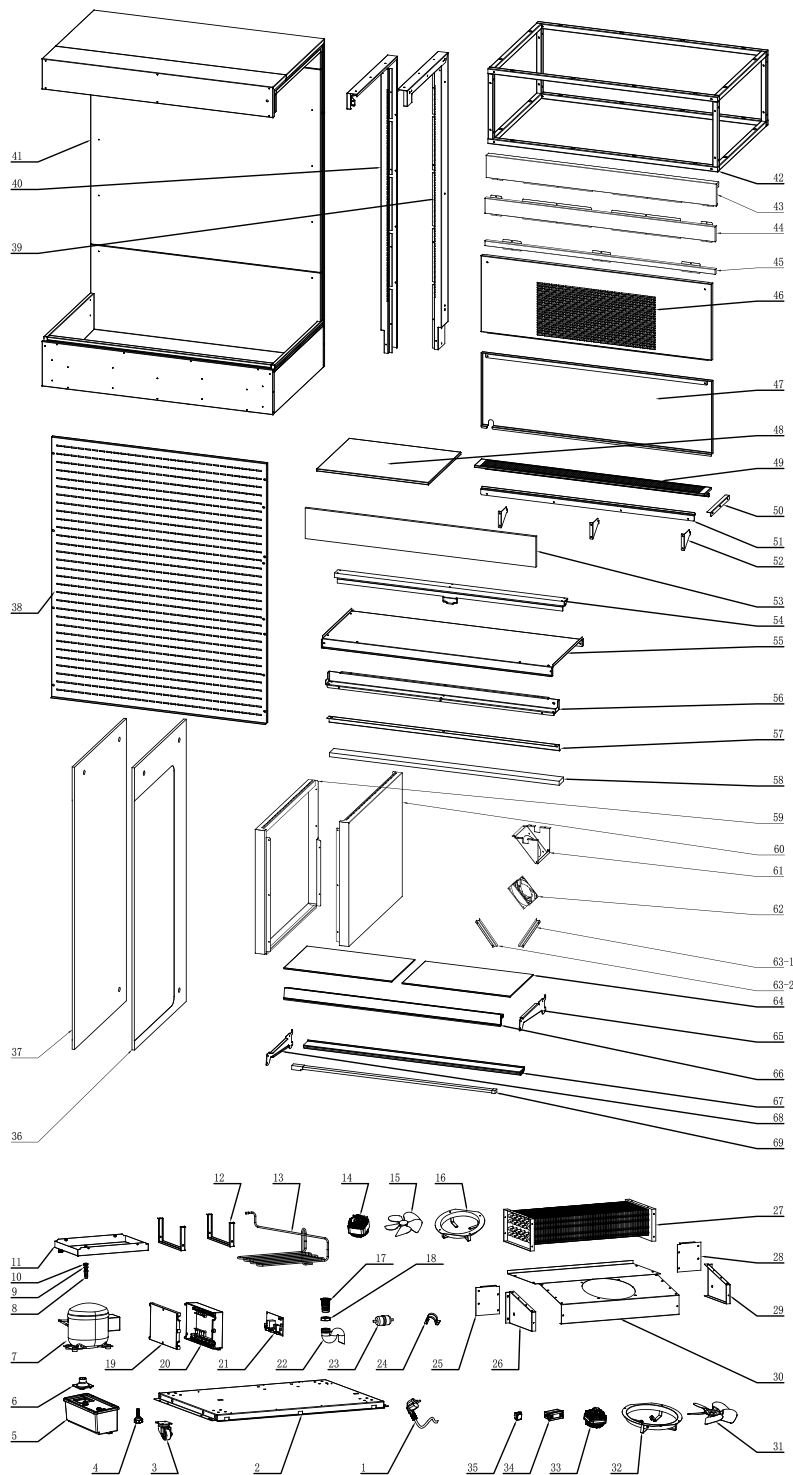
NOTE

The following situation is normal:

The murmur of water is heard when the refrigerator is working. It is a normal phenomenon as the coolant is circulating in the system. In wet season, condensation might be found on the outside of the refrigerator. It is not a trouble, which is caused by high humidity. Simply use cloth to wipe it.

Parts Breakdown

Model RS-CN-0900 48377



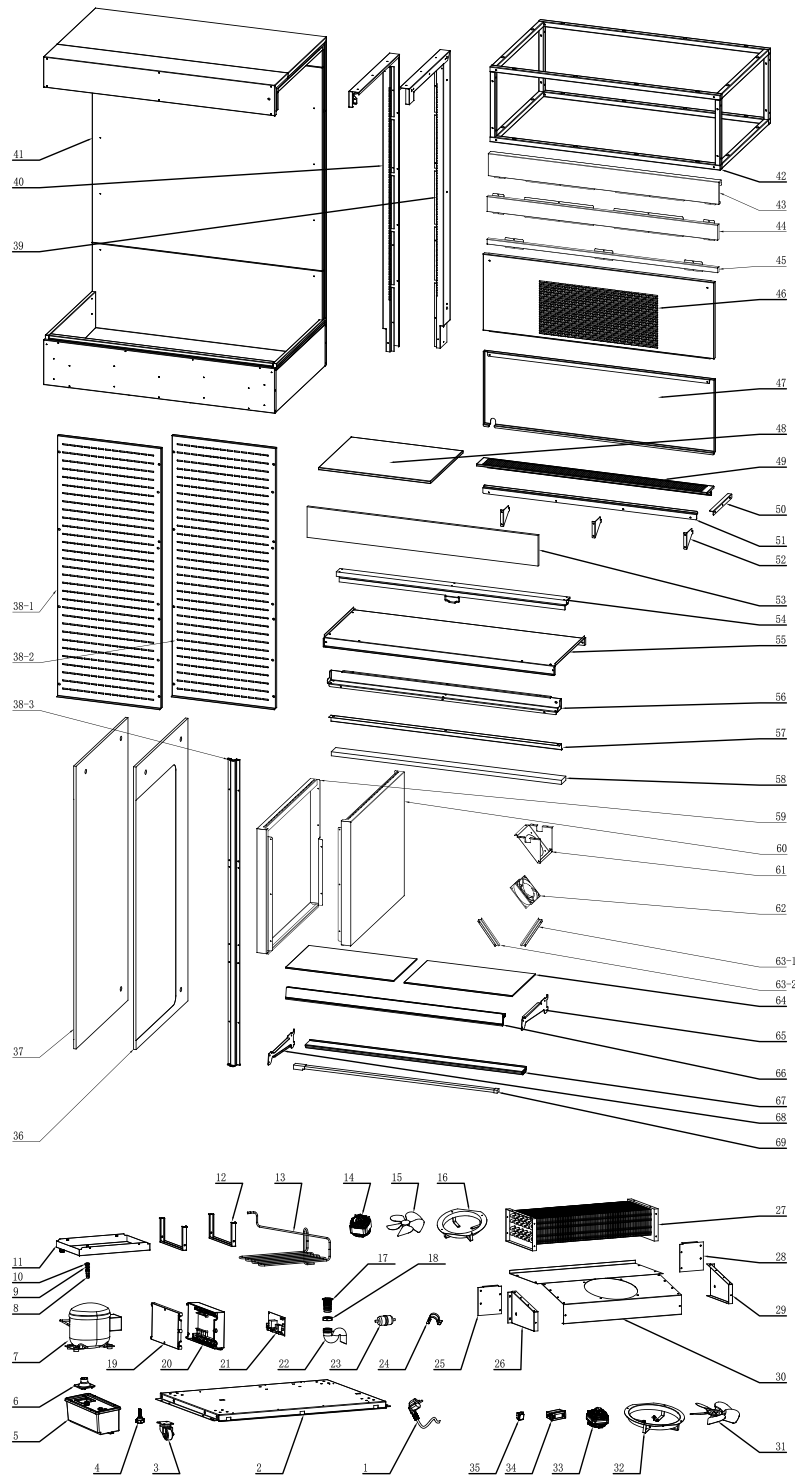
Parts Breakdown

Model RS-CN-0900 48377

Item No.	Description	Position	Item No.	Description	Position	Item No.	Description	Position
AR331	Power Line for 48377	1	AR348	Evaporator Left Wind Deflector for 48377	25	AR369	Base Upper Cover for 48377	48
AR332	Base Plate for 48377	2	AR349	Evaporator Left Fixed Plate for 48377	26	AR370	Intake Plate for 48377	49
AR333	Castor for 48377	3	AR350	Evaporator for 48377	27	AR371	Side Fixed Plate for Base Cover for 48377	50
AR334	Adjustable Foot for 48377	4	AR351	Evaporator Right Air Deflector for 48377	28	AR372	Front Upper Decorative Fixed Plate for 48377	51
AR335	Water Evaporation Assembly for 48377	5	AR352	Evaporator Right Fixed Plate for 48377	29	AR373	Front Fixed Plate for Base Cover for 48377	52
AR336	Water Box Trachea for 48377	6	AR353	Evaporator Motor Fixed Plate for 48377	30	AR374	Windshield for 48377	53
AR337	Compressor for 48377	7	AR354	Fan for 48377	31	AR375	Curtain for 48377	54
AR338	Direct Link + Gasket for 48377	8, 9	AR355	Flange for 48377	32	AR376	Top Plate for 48377	55
AR339	Nut for 48377	10	AL826	Motor for 48377	33	AR377	Curtain Fixed Plate for 48377	56
AR340	Water Tray for 48377	11	AR356	Display for 48377	34	AR378	Honeycomb Fixed Plate for 48377	57
AL815	Water Tray Supporter for 48377	12	AL834	Switch for 48377	35	AR379	Honeycomb Panel for 48377	58
AR341	High Pressure Tube for 48377	13	AR357	Left Panel Assembly for 48377	36	AR380	Left Side Plate for 48377	59
AR342	Motor for 48377	14	AR358	Right Panel Assembly for 48377	37	AR381	Right Side Plate for 48377	60
AR343	Fan for 48377	15	AR359	Ventilating Board for 48377	38	AR382	Fan Fixed Plate for 48377	61
AR344	Flange for 48377	16	AR360	Shelf Left Fixed Plate Assembly for 48377	39	AR383	Fan Motor for 48377	62
AL819	Water Leakage Pipe Joint for 48377	17	AR361	Shelf Right Fixed Plate Assembly for 48377	40	AR384	Right Air Deflector for 48377	63-1
AR345	Nut for 48377	18	AR362	Foaming Assembly for 48377	41	AR385	Left Air Deflector for 48377	63-2
AL830	Cover of Assembly Box for 48377	19	AR363	Base Frame for 48377	42	AR386	Glass Shelf for 48377	64
AL831	Base of Assembly Box for 48377	20	AR364	Front Upper Decorative Plate for 48377	43	AR387	Shelf Left Panel for 48377	65
AR346	Digital Control for 48377	21	AR365	Front Middle Decorative Plate for 48377	44	AR388	Shelf Front Beam for 48377	66
AL817	Water Leakage Pipe for 48377	22	AR366	Decorative Plate for 48377	45	AR389	Shelf Back Beam for 48377	67
AL818	Dry Filter for 48377	23	AR367	Front Base Cover for 48377	46	AR390	Shelf Right Panel for 48377	68
AR347	Dry Filter Plate for 48377	24	AR368	Back Base Cover for 48377	47	AR391	Light for 48377	69

Parts Breakdown

Model RS-CN-1200 48378



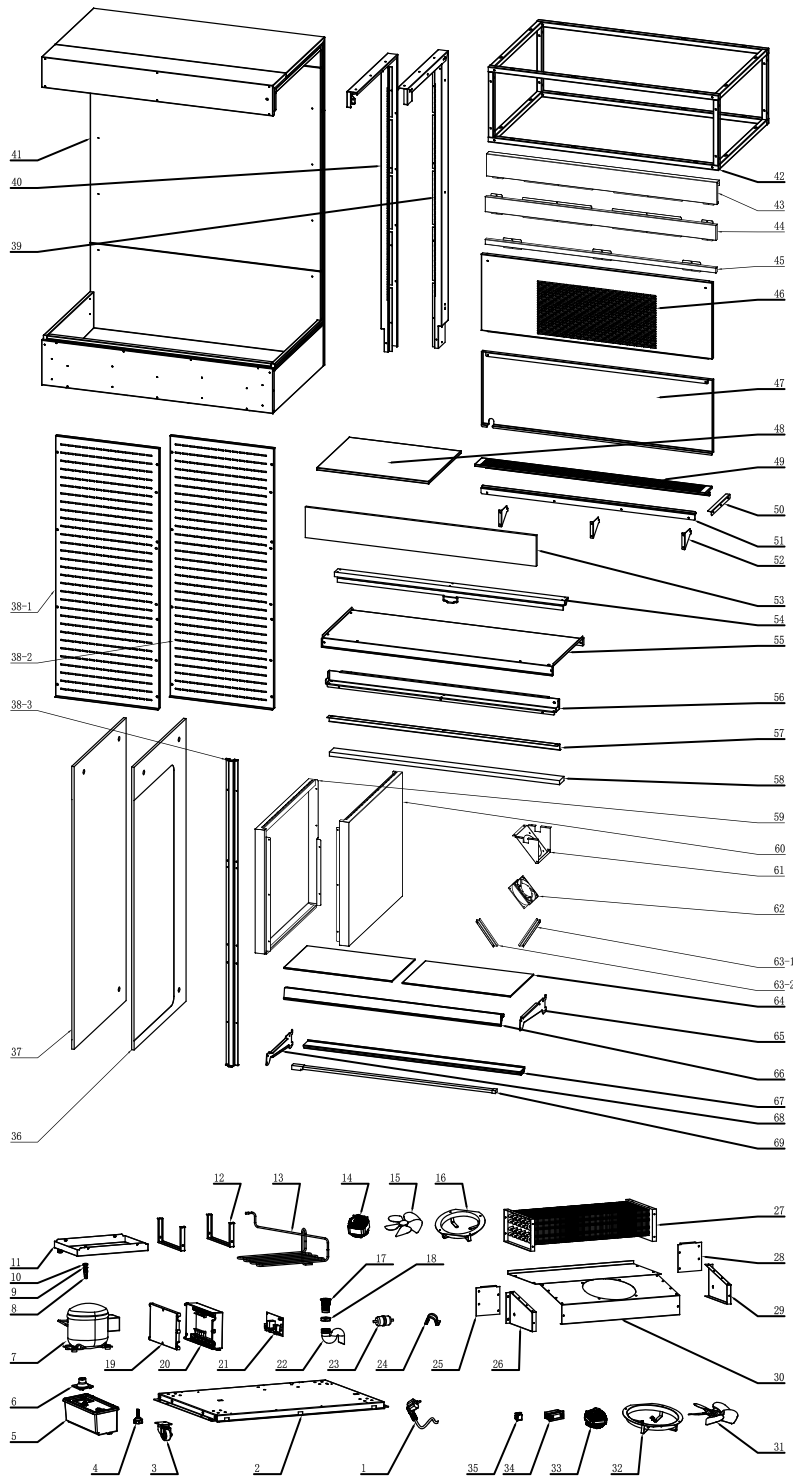
Parts Breakdown

Model RS-CN-1200 48378

Item No.	Description	Position	Item No.	Description	Position	Item No.	Description	Position
AR331	Power Line for 48378	1	AR349	Evaporator Left Fixed Plate for 48378	26	AR410	Base Upper Cover for 48378	48
AR392	Base Plate for 48378	2	AR397	Evaporator for 48378	27	AR411	Intake Plate for 48378	49
AR333	Castor for 48378	3	AR351	Evaporator Right Air Deflector for 48378	28	AR371	Side Fixed Plate for Base Cover for 48378	50
AR334	Adjustable Foot for 48378	4	AR352	Evaporator Right Fixed Plate for 48378	29	AR412	Front Upper Decorative Fixed Plate for 48378	51
AR335	Water Evaporation Assembly for 48378	5	AR398	Evaporator Motor Fixed Plate for 48378	30	AR373	Front Fixed Plate for Base Cover for 48378	52
AR336	Water Box Trachea for 48378	6	AR354	Fan for 48378	31	AR413	Windshield for 48378	53
AR393	Compressor for 48378	7	AR355	Flange for 48378	32	AR414	Curtain for 48378	54
AR338	Direct Link + Gasket for 48378	8, 9	AR399	Motor for 48378	33	AR415	Top Plate for 48378	55
AR339	Nut for 48378	10	AR356	Display for 48378	34	AR416	Curtain Fixed Plate for 48378	56
AR340	Water Tray for 48378	11	AL834	Switch for 48378	35	AR417	Honeycomb Fixed Plate for 48378	57
AL815	Water Tray Supporter for 48378	12	AR357	Left Panel Assembly for 48378	36	AR418	Honeycomb Panel for 48378	58
AR394	High Pressure Tube for 48378	13	AR358	Right Panel Assembly for 48378	37	AR380	Left Side Plate for 48378	59
AR342	Motor for 48378	14	AR400	Left Ventilating Board for 48378	38-1	AR381	Right Side Plate for 48378	60
AR343	Fan for 48378	15	AR401	Right Ventilating Board for 48378	38-2	AR382	Fan Fixed Plate for 48378	61
AR344	Flange for 48378	16	AR402	Ventilating Board Support for 48378	38-3	AR383	Fan Motor for 48378	62
AL819	Water Leakage Pipe Joint for 48378	17	AR360	Shelf Left Fixed Plate Assembly for 48378	39	AR384	Right Air Deflector for 48378	63-1
AR345	Nut for 48378	18	AR361	Shelf Right Fixed Plate Assembly for 48378	40	AR385	Left Air Deflector for 48378	63-2
AL830	Cover of Assembly Box for 48378	19	AR403	Foaming Assembly for 48378	41	AR419	Glass Shelf for 48378	64
AR395	Junction Box Base for 48378	20	AR404	Base Frame for 48378	42	AR387	Shelf Left Panel for 48378	65
AR346	Digital Control for 48378	21	AR405	Front Upper Decorative Plate for 48378	43	AR420	Shelf Front Beam for 48378	66
AL817	Water Leakage Pipe for 48378	22	AR406	Front Middle Decorative Plate for 48378	44	AR421	Shelf Back Beam for 48378	67
AR396	Dry Filter for 48378	23	AR407	Decorative Plate for 48378	45	AR390	Shelf Right Panel for 48378	68
AR347	Dry Filter Plate for 48378	24	AR408	Front Base Cover for 48378	46	AL791	LED for 48378	69
AR348	Evaporator Left Wind Deflector for 48378	25	AR409	Back Base Cover for 48378	47			

Parts Breakdown

Model RS-CN-1500 48379



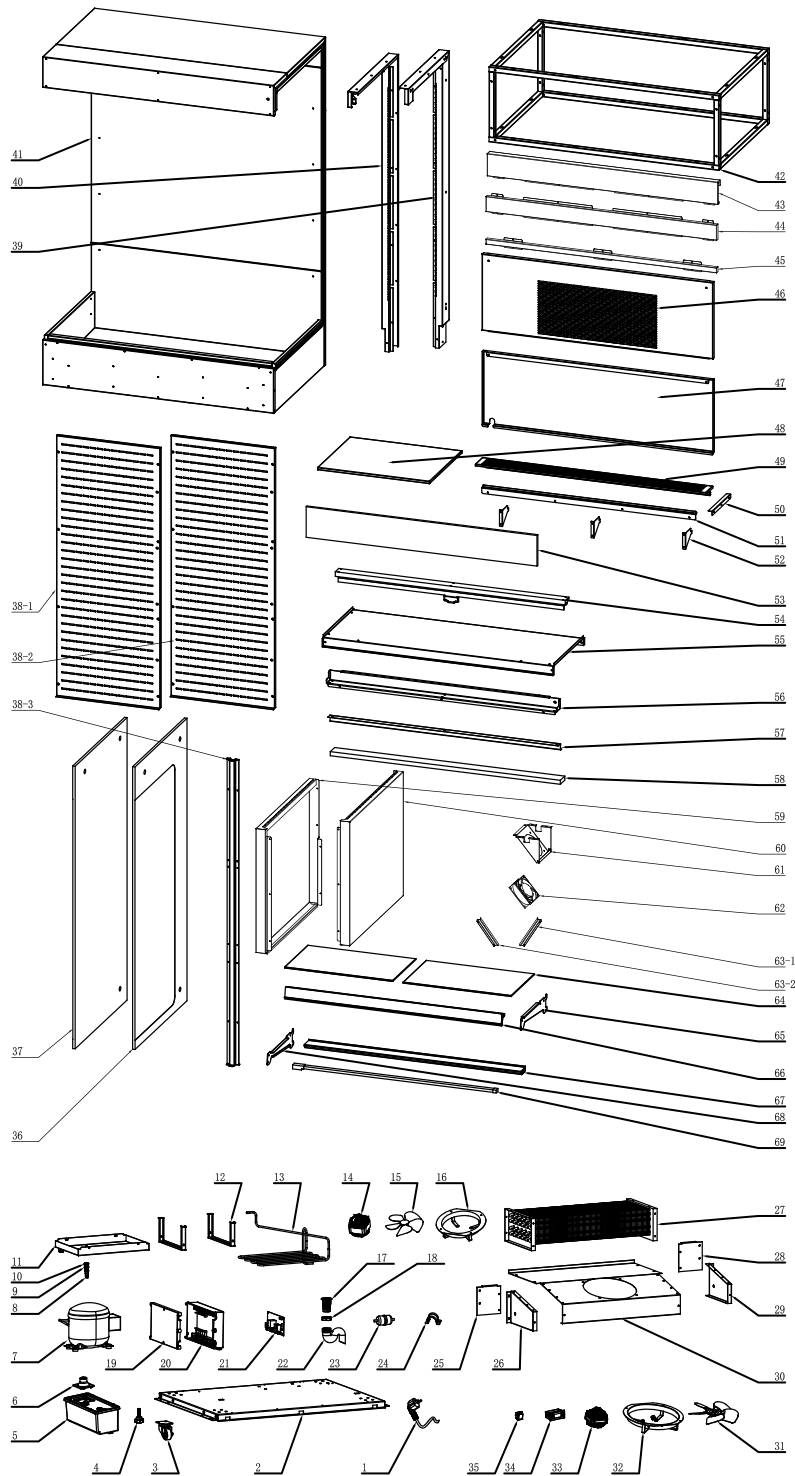
Parts Breakdown

Model RS-CN-1500 48379

Item No.	Description	Position	Item No.	Description	Position	Item No.	Description	Position
AR422	Power Line for 48379	1	AR349	Evaporator Left Fixed Plate for 48379	26	AR443	Base Upper Cover for 48379	48
AR423	Base Plate for 48379	2	AR350	Evaporator for 48379	27	AR444	Intake Plate for 48379	49
AR333	Castor for 48379	3	AR431	Evaporator Right Air Deflector for 48379	28	AR371	Side Fixed Plate for Base Cover for 48379	50
AR334	Adjustable Foot for 48379	4	AR352	Evaporator Right Fixed Plate for 48379	29	AR445	Front Upper Decorative Fixed for 48379	51
AR424	Water Evaporation Assembly for 48379	5	AR353	Evaporator Motor Fixed Plate for 48379	30	AR373	Front Fixed Plate for Base Cover for 48379	52
AR336	Water Box Trachea for 48379	6	AR354	Fan for 48379	31	AR446	Windshield for 48379	53
AR425	Compressor for 48379	7	AR355	Flange for 48379	32	AR447	Curtain for 48379	54
AR338	Direct Link + Gasket for 48379	8, 9	AR432	Motor for 48379	33	AR448	Top Plate for 48379	55
AR339	Nut for 48379	10	AR356	Display for 48379	34	AR449	Curtain Fixed Plate for 48379	56
AR426	Water Tray for 48379	11	AL834	Switch for 48379	35	AR450	Honeycomb Fixed Plate for 48379	57
AR427	Water Tray Support for 48379	12	AR357	Left Panel Assembly for 48379	36	AR451	Honeycomb Panel for 48379	58
AR341	High Pressure Tube for 48379	13	AR358	Right Panel Assembly for 48379	37	AR452	Left Side Plate for 48379	59
AR428	Motor for 48379	14	AR433	Left Ventilating Board for 48379	38-1	AR453	Right Side Plate for 48379	60
AR343	Fan for 48379	15	AR434	Right Ventilating Board for 48379	38-2	AR382	Fan Fixed Plate for 48379	61
AR344	Flange for 48379	16	AR435	Ventilating Board Support for 48379	38-3	AR383	Fan Motor for 48379	62
AL819	Water Leakage Pipe Joint for 48379	17	AR360	Shelf Left Fixed Plate Assembly for 48379	39	AR384	Right Air Deflector for 48379	63-1
AR345	Nut for 48379	18	AR361	Shelf Right Fixed Plate Assembly for 48379	40	AR385	Left Air Deflector for 48379	63-2
AL830	Cover of Assembly Box for 48379	19	AR436	Foaming Assembly for 48379	41	AR454	Glass Shelf for 48379	64
AL831	Base of Assembly Box for 48379	20	AR437	Base Frame for 48379	42	AR387	Shelf Left Panel for 48379	65
AR429	Digital Control for 48379	21	AR438	Front Upper Decorative Plate for 48379	43	AR455	Shelf Front Beam for 48379	66
AL817	Water Leakage Pipe for 48379	22	AR439	Front Middle Decorative Plate for 48379	44	AR456	Shelf Back Beam for 48379	67
AR396	Dry Filter for 48379	23	AR440	Decorative Plate for 48379	45	AR390	Shelf Right Panel for 48379	68
AR347	Dry Filter Plate for 48379	24	AR441	Front Base Cover for 48379	46	AR457	Light for 48379	69
AR430	Evaporator Left Wind Deflector for 48379	25	AR442	Back Base Cover for 48379	47			

Parts Breakdown

Model RS-CN-1800 48380



Parts Breakdown

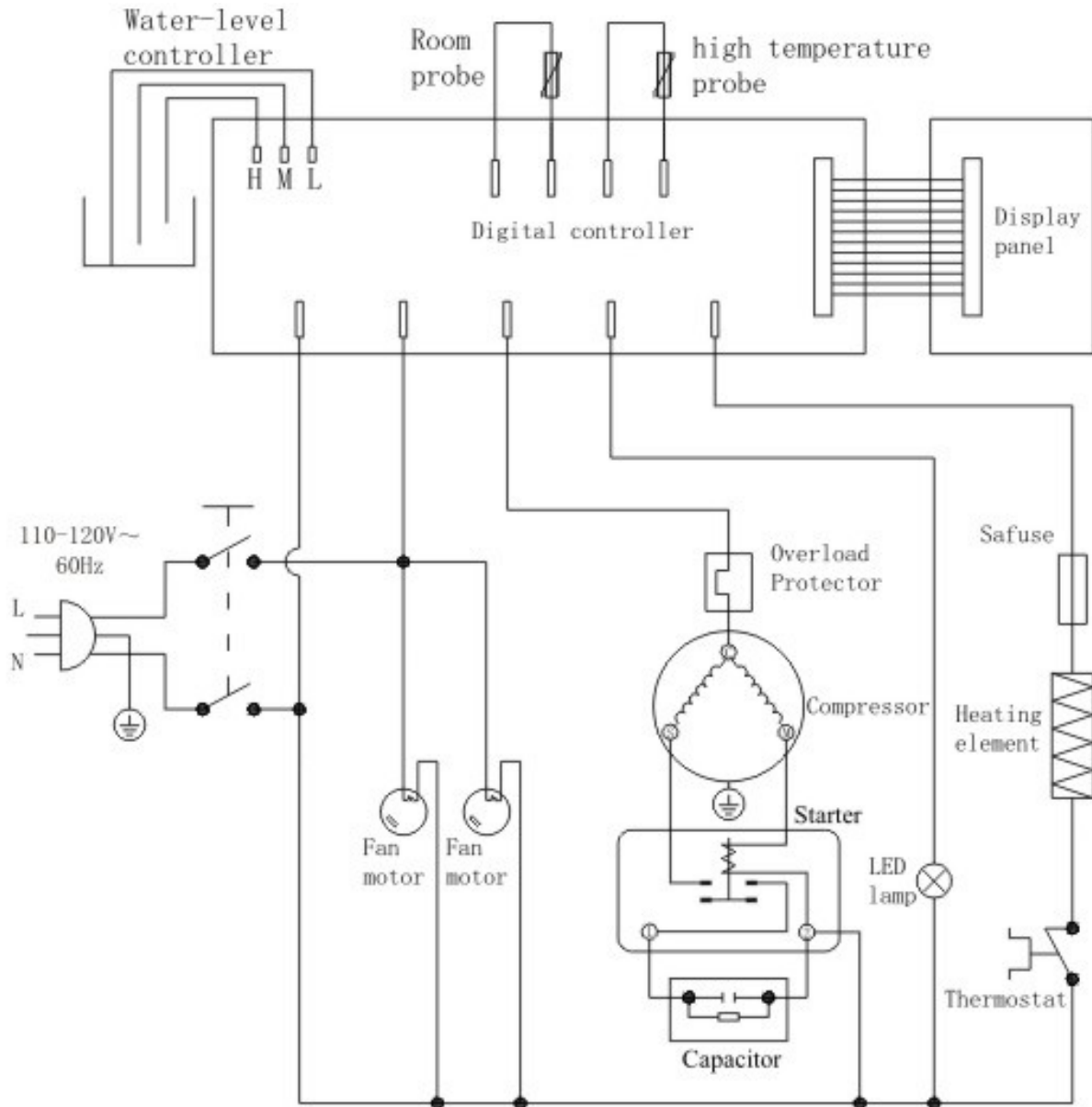
Model RS-CN-1800 48380

Item No.	Description	Position	Item No.	Description	Position	Item No.	Description	Position
AR422	Power Line for 48380	1	AR349	Evaporator Left Fixed Plate for 48380	26	AR468	Base Upper Cover for 48380	48
AR458	Base Plate for 48380	2	AR397	Evaporator for 48380	27	AR469	Intake Plate for 48380	49
AR333	Castor for 48380	3	AR431	Evaporator Right Air Deflector for 48380	28	AR371	Side Fixed Plate for Base Cover for 48380	50
AR334	Adjustable Foot for 48380	4	AR352	Evaporator Right Fixed Plate for 48380	29	AR470	Front Upper Decorative Fixed Plate for 48380	51
AR424	Water Evaporation Assembly for 48380	5	AR398	Evaporator Motor Fixed Plate for 48380	30	AR373	Front Fixed Plate for Base Cover for 48380	52
AR336	Water Box Trachea for 48380	6	AR354	Fan for 48380	31	AR471	Windshield for 48380	53
AR425	Compressor for 48380	7	AR355	Flange for 48380	32	AR472	Curtain for 48380	54
AR338	Direct Link + Gasket for 48380	8, 9	AR399	Motor for 48380	33	AR473	Top Plate for 48380	55
AR339	Nut for 48380	10	AR356	Display for 48380	34	AR474	Curtain Fixed Plate for 48380	56
AR426	Water Tray for 48380	11	AL834	Switch for 48380	35	AR475	Honeycomb Fixed Plate for 48380	57
AR427	Water Tray Support for 48380	12	AR357	Left Panel Assembly for 48380	36	AR476	Honeycomb Panel for 48380	58
AR341	High Pressure Tube for 48380	13	AR358	Right Panel Assembly for 48380	37	AR452	Left Side Plate for 48380	59
AR428	Motor for 48380	14	AR459	Left Ventilating Board for 48380	38-1	AR453	Right Side Plate for 48380	60
AR343	Fan for 48380	15	AR460	Right Ventilating Board for 48380	38-2	AR382	Fan Fixed Plate for 48380	61
AR344	Flange for 48380	16	AR435	Ventilating Board Support for 48380	38-3	AR383	Fan Motor for 48380	62
AL819	Water Leakage Pipe Joint for 48380	17	AR360	Shelf Left Fixed Plate Assembly for 48380	39	AR384	Right Air Deflector for 48380	63-1
AR345	Nut for 48380	18	AR361	Shelf Right Fixed Plate Assembly for 48380	40	AR385	Left Air Deflector for 48380	63-2
AL830	Cover of Assembly Box for 48380	19	AR461	Foaming Assembly for 48380	41	AR477	Glass Shelf for 48380	64
AL831	Base of Assembly Box for 48380	20	AR462	Base Frame for 48380	42	AR387	Shelf Left Panel for 48380	65
AR429	Digital Control for 48380	21	AR463	Front Upper Decorative Plate for 48380	43	AR478	Shelf Front Beam for 48380	66
AL817	Water Leakage Pipe for 48380	22	AR464	Front Middle Decorative Plate for 48380	44	AR479	Shelf Back Beam for 48380	67
AR396	Dry Filter for 48380	23	AR465	Decorative Plate for 48380	45	AR390	Shelf Right Panel for 48380	68
AR347	Dry Filter Plate for 48380	24	AR466	Front Base Cover for 48380	46	AR480	Light for 48380	69
AR430	Evaporator Left Wind Deflector for 48380	25	AR467	Back Base Cover for 48380	47			


Electrical Schematics

Model RS-CN-0900 48377

Model RS-CN-1200 48378



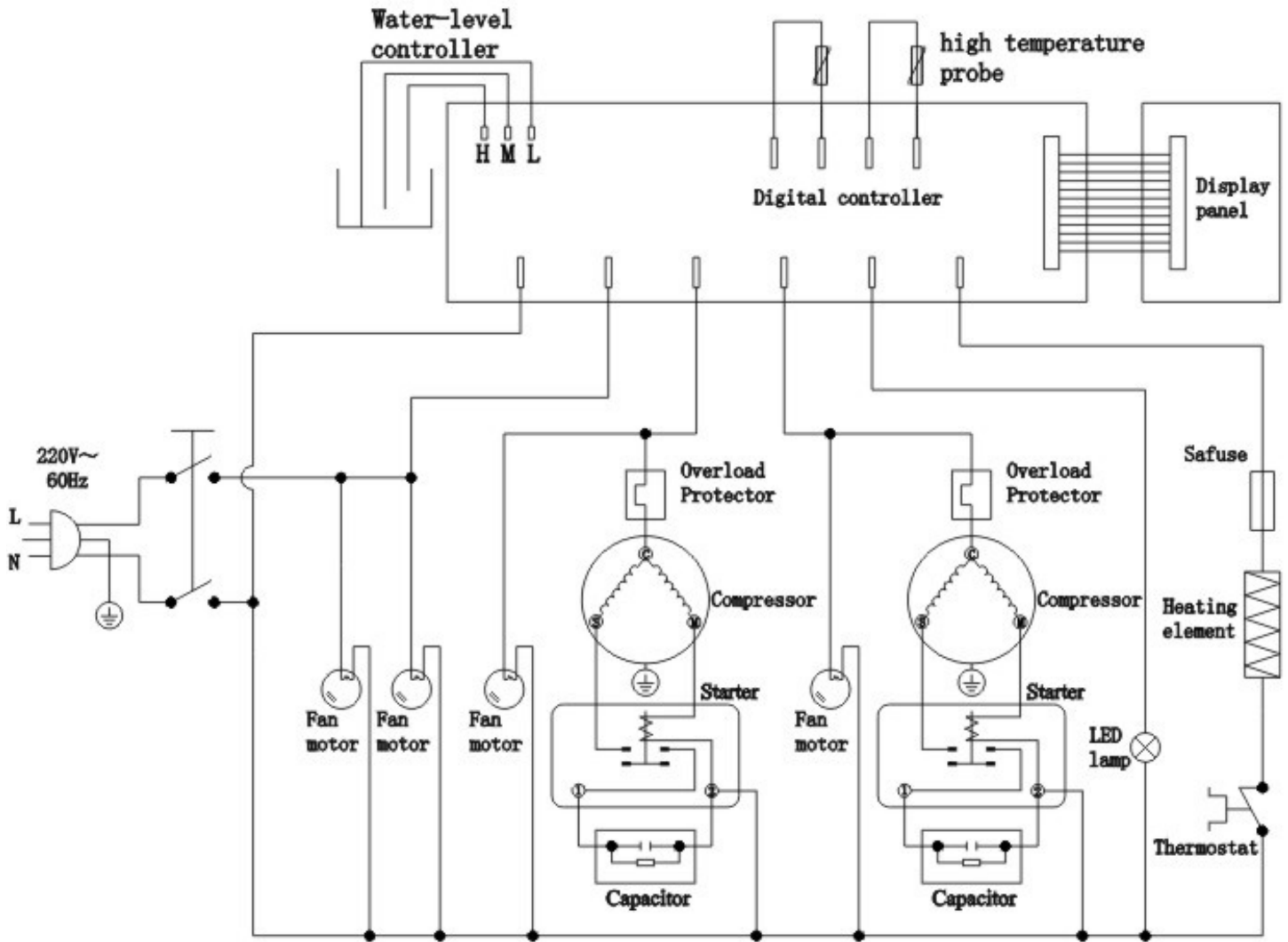
NEMA
5 - 20P
125VAC / 20 AMP



Electrical Schematics

Model RS-CN-1500 48379

Model RS-CN-1800 48380



NEMA
6 - 15P
250VAC / 15 AMP



Warranty Registration

Thank you for purchasing an Omcan product. To register your warranty for this product, complete the information below, tear off the card at the perforation and then send to the address specified below. You can also register online by visiting:

Merci d'avoir acheté un produit Omcan. Pour enregistrer votre garantie pour ce produit, complétez les informations ci-dessous, détachez la carte au niveau de la perforation, puis l'envoyer à l'adresse spécifiée ci-dessous. Vous pouvez également vous inscrire en ligne en visitant:

Gracias por comprar un producto Omcan usted. Para registrar su garantía para este producto, complete la información a continuación, cortar la tarjeta en la perforación y luego enviarlo a la dirección indicada a continuación. También puede registrarse en línea en:

<https://omcan.com/warranty-registration/>

For mailing in Canada

Pour postale au Canada

Por correo en Canadá

For mailing in the US

Pour diffusion aux États-Unis

Por correo en los EE.UU.

OMCAN

PRODUCT WARRANTY REGISTRATION

3115 Pepper Mill Court,
Mississauga, Ontario
Canada, L5L 4X5

OMCAN

PRODUCT WARRANTY REGISTRATION

4450 Witmer Industrial Estates, Unit 4,
Niagara Falls, New York
USA, 14305

or email to: service@omcan.com



Purchaser's Information

Name: _____

Address: _____

City: _____ Province or State: _____ Postal or Zip: _____

Country: _____

Dealer from which Purchased: _____

Dealer City: _____ Dealer Province or State: _____

Invoice: _____

Model Name: _____ Model Number: _____

Machine Description: _____

Date of Purchase (MM/DD/YYYY): _____

Would you like to extend the warranty? Yes No

Company Name: _____

Telephone: _____

Email Address: _____

Type of Company:

Restaurant Bakery Deli

Butcher Supermarket Caterer

Institution (specify): _____

Other (specify): _____

Serial Number: _____

Date of Installation (MM/DD/YYYY): _____

Thank you for choosing Omcan | Merci d'avoir choisi Omcan | Gracias por elegir Omcan



Since 1951 Omcan has grown to become a leading distributor of equipment and supplies to the North American food service industry. Our success over these many years can be attributed to our commitment to strengthen and develop new and existing relationships with our valued customers and manufacturers. Today with partners in North America, Europe, Asia and South America, we continually work to improve and grow the company. We strive to offer customers exceptional value through our qualified local sales and service representatives who provide convenient access to over 6,500 globally sourced products.

Depuis 1951 Omcan a grandi pour devenir un des "leaders" de la distribution des équipements et matériel pour l'industrie des services alimentaires en Amérique du Nord. Notre succès au cours de ces nombreuses années peut être attribué à notre engagement à renforcer et à développer de nouvelles et existantes relations avec nos clients et les fabricants de valeur. Aujourd'hui avec des partenaires en Amérique du Nord, Europe, Asie et Amérique du Sud, nous travaillons continuellement à améliorer et développer l'entreprise. Nous nous efforçons d'offrir à nos clients une valeur exceptionnelle grâce à nos ventes locales qualifiées et des représentants de service qui offrent un accès facile à plus de 6500 produits provenant du monde entier.

Desde 1951 Omcan ha crecido hasta convertirse en un líder en la distribución de equipos y suministros de alimentos en América del Norte industria de servicios. Nuestro éxito en estos años se puede atribuir a nuestro compromiso de fortalecer y desarrollar nuevas relaciones existentes con nuestros valiosos clientes y fabricantes. Hoy con socios de América del Norte, Europa, Asia y América del Sur, que trabajan continuamente para mejorar y crecer la empresa. Nos esforzamos por ofrecer a nuestros clientes valor excepcional a través de nuestro local de ventas y representantes de los servicios que proporcionan un fácil acceso a más de 6,500 productos con origen a nivel mundial.

